

EnvoyP11D

ENVOYWORLD

Innovative companies know that they need to make the most of their resources. EnvoyWorld allows organisations to gain control over, and insight into their employees travel and expenses, while allowing their staff to focus on the real business targets.

ENVOYP11D

Expense eliminates tedious clerical tasks associated with paper forms. Expense ensures complete transparency throughout the claiming and reimbursement process.

Employees have full access to all their previous claims removing the need for printing and storing paper copies.

PREMIER ENVOY

1st Floor, Newton Silk Mill
Holyoak Street
Manchester
M40 1HA

Tel: 0161 682 2100

www.premierenvoy.com



- Intuitive 'P11D Style' interface
- Import from any data source (payroll, accounting, etc)
- Interactive data validation during import
- Compare multiple employees at one time
- Maintains data across tax years
- Maintain employees across multiple companies
- Maintains company cars assignments across employees
- Comprehensive employee benefit statements
- Employee benefit statement editor
- Class 1A costing report & analysis
- HMRC approved forms - P11D, P9D, P46(car) & working sheets
- Submission by magnetic media
- Submission by FBI (file-by-internet)
- Single or multi user operation
- Easy to install
- Password protection
- Secure, industry standard SQL based storage
- Configurable user privileges and access rights




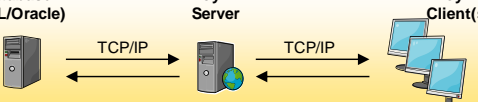
The EnvoyP11D software brings creation and management of your organisation's P11Ds right up to date. Utilising over 10 years experience in creating and maintaining software to create P11Ds, our new product stands out from the crowd in functionality and usability.

Available as both an add-on module to our EnvoyWorld suite or as a standalone package, EnvoyP11D will allow you to fulfil all your employer's obligations under the Self-Assessment Taxation scheme in the most efficient way possible.

Allowing import of data from any payroll system, accounting system, database or spreadsheet, EnvoyP11D can produce all the reports required by both HM Revenue & Customs and the employee.

The new user interface makes entry and management of data quick and easy, with the 'P11D look' making it simple to review the information you need to see, either by user or by benefit.

EnvoyP11D Configuration

| | |
|---|--|
| <p>Option One - Stand Alone All components of EnvoyP11D run on the same machine.</p> | <p>EnvoyP11D Server, Database and Client </p> |
| <p>Option Two - Workgroup Database, EnvoyP11D Server & Client run on the same machine. Additional Clients communicate with EnvoyP11D server via TCP/IP.</p> | <p>EnvoyP11D Server, Database and Client </p> |
| <p>Option Three - Combined Server Database and EnvoyP11D Server operate on a single server. Clients communicate with EnvoyP11D server via TCP/IP.</p> | <p>EnvoyP11D Server & Database </p> |
| <p>Option Four - Separate Data & Server The EnvoyP11D Server communicates with a separate database server via standard TCP/IP. Clients communicate with the EnvoyP11D Server via TCP/IP.</p> | <p>Database (SQL/Oracle) </p> |

Technical Requirements

What type of PC does EnvoyP11D Client require?

- CPU – Faster than 1GHz preferred
- RAM – Minimum of 64Mb, 256Mb preferred
- Disc space – requires minimum of 50Mb free space
- Microsoft Windows XP with Service Pack 2 or later
- Microsoft Windows 2000 Professional with SP4

What type of PC does EnvoyP11D Server require?

- CPU – Faster than 1GHz
- RAM – Minimum of 192Mb, 512Mb preferred
- Disc space – requires minimum of 350Mb free space
- Microsoft Windows XP with Service Pack 2 or later
- Microsoft Windows 2000 Professional with SP4
- Microsoft Windows 2000 Server with Service Pack 4 or later
- Microsoft Windows Server 2003 Standard, Enterprise, or Datacenter editions with Service Pack 1 or later
- Microsoft Windows Server 2003 Web Edition SP1
- Microsoft Windows Small Business Server 2003 with Service Pack 1 or later

What databases can EnvoyP11D use?

- Microsoft SQL 2000, SQL 2005 or SQL 2005 Express
- Oracle 9i, 10G

PREMIER ENVOY

1st Floor, Newton Silk Mill
Holyoak Street
Manchester
M40 1HA

Tel: 0161 682 2100

www.premierenvoy.com

